



# Basic Modular LBX300

## LBX300 2xMAX50W/12V-GU5.3 WH

2 pcs - Max. 50 W - 12 V - GU5.3 - White

Our Smart Modular Downlight is an affordable, reliable and flexible solution designed to deliver both general and accent lighting in retail environments. Driven by electronic and electromagnetic gear, the trendy Smart Modular Downlight combines an attractive visual appearance with ease of installation and maintenance. A robust housing and high-quality components ensure the product's long lifetime.

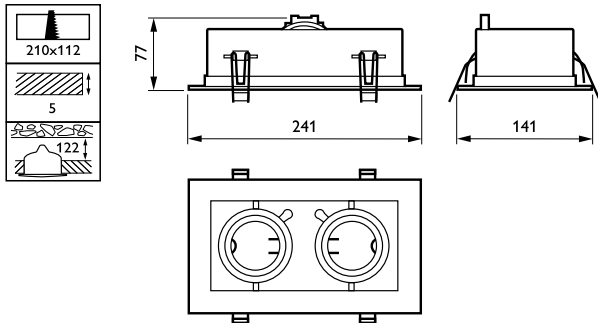
### Product data

General Information	
Number of light sources	2 [ 2 pcs]
Cap-Base	GU5.3 [ GU5.3]
Number of light sources 2	-
Compensation circuit	-
Gear	-
Operating and Electrical	
Maximum lamp power	MAX50 [ Max. 50 W]
Lamp supply voltage	12 V [ 12]

Product Data	
Full product code	910403630427
Order product name	LBX300 2xMAX50W/12V-GU5.3 WH
EAN/UPC - Product	6923828688202
Order code	910403630427
Numerator - Quantity Per Pack	1
Numerator - Packs per outer box	6
Material Nr. (12NC)	910403630427
Net Weight (Piece)	0.950 kg

## Basic Modular LBX300

### Dimensional drawing



Basic Modular CBX/LBX300/301/302

