



Basic Modular LBX300

LBX300 1xMAX50W/12V-GU5.3 GR

1 pc - Max. 50 W - 12 V - GU5.3 - Gray

Our Smart Modular Downlight is an affordable, reliable and flexible solution designed to deliver both general and accent lighting in retail environments. Driven by electronic and electromagnetic gear, the trendy Smart Modular Downlight combines an attractive visual appearance with ease of installation and maintenance. A robust housing and high-quality components ensure the product's long lifetime.

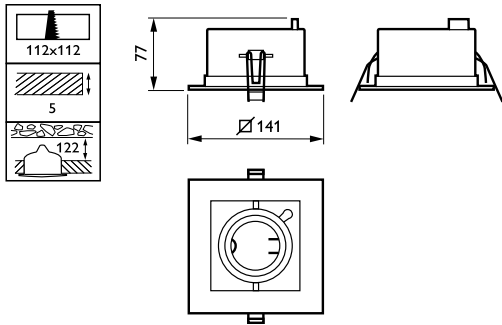
Product data

General Information	
Number of light sources	1 pc
Cap-Base	GU5.3 [GU5.3]
Number of light sources 2	-
Compensation circuit	-
Gear	-
Operating and Electrical	
Maximum lamp power	Max. 50 W
Lamp supply voltage	12 V [12]

Product Data	
Full product code	910403630426
Order product name	LBX300 1xMAX50W/12V-GU5.3 GR
EAN/UPC - Product	6923828688196
Order code	910403630426
Numerator - Quantity Per Pack	1
Numerator - Packs per outer box	8
Material Nr. (12NC)	910403630426
Net Weight (Piece)	0.850 kg

Basic Modular LBX300

Dimensional drawing



Basic Modular CBX/LBX300/301/302

